

H312 Smart Hot Air Gun

User Manual



Please read this manual carefully before use

Product Features

•Redefine hot air gun with internet technology!

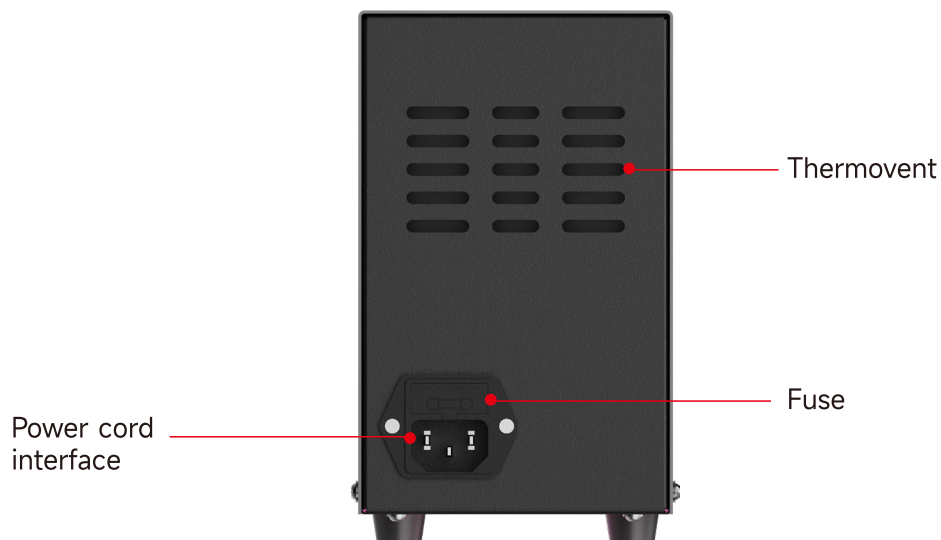
- 3.5inch IPS HD display screen, built-in smart operation system
- Dual combination of segment and curve desoldering
- One key switch among three desoldering modes, newly added cold air mode and force working mode
- WiFi networking OTA upgrade, interconnecting through bluetooth
- Silent brushless air blower, 1000W high power heating core
- Built-in with desoldering parameters of all kinds of chips, update data on iCloud in real time. Users can recall, add, revise and save data to build their own exclusive iCloud database!

Structures Instruction

Front side



|| Back side



|| Accessories



Power cord



Air nozzle (smooth wind) *3



Standby holder



Certificate

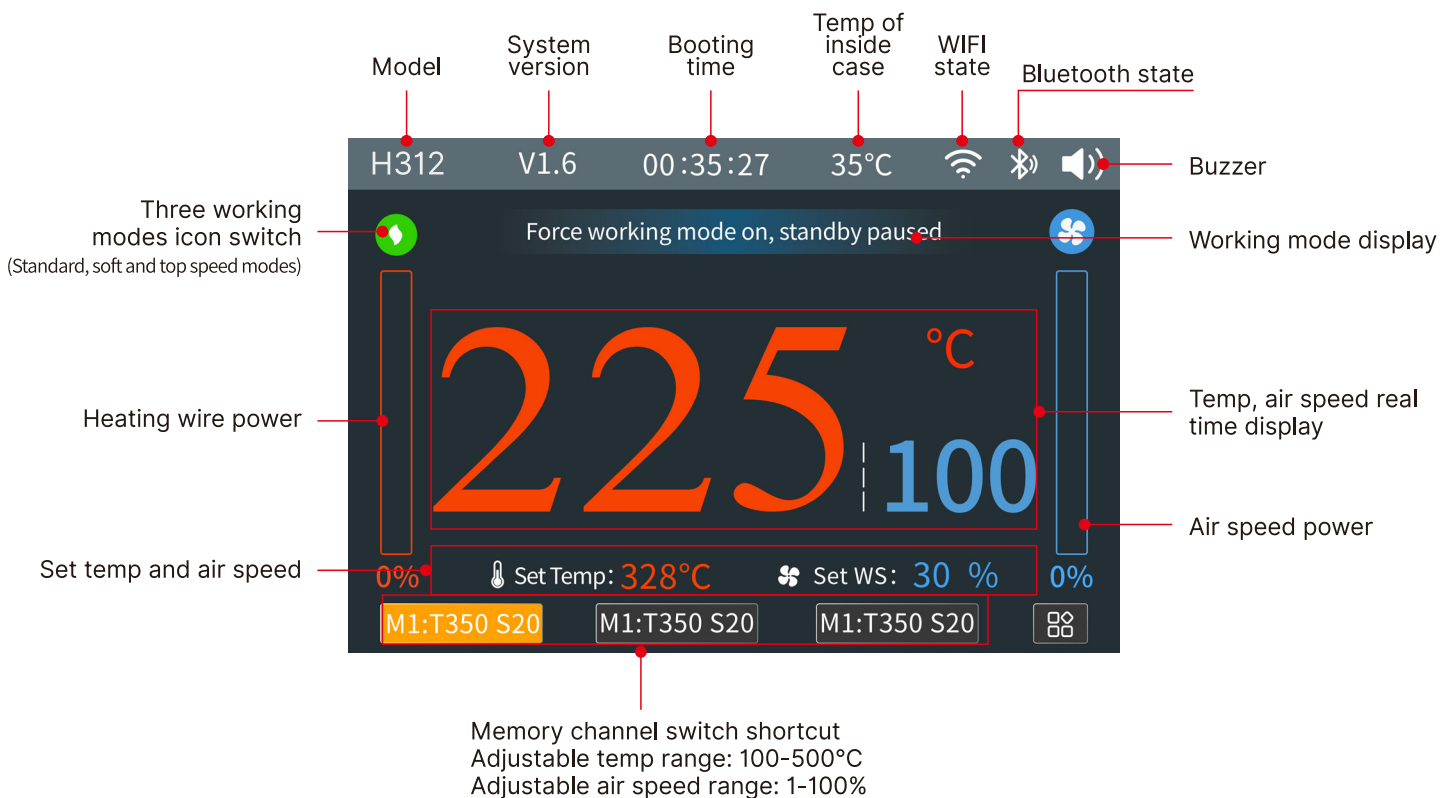


User manual card

Product Parameters

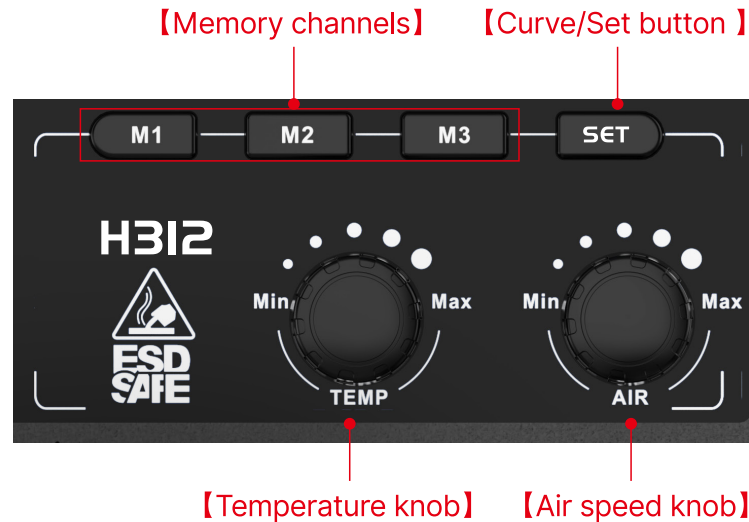
Product name: Smart Hot Air Gun	Display screen: 3.5inch IPS
Model: H312	Input voltage: 220V 60Hz/50Hz
Rated power: 1200W	Communication: Type-C / WIFI / Bluetooth
Peak Power: 1400W	Air flow: 10-50m/s
Temperature range: 100-500°C	Blowing type: Smooth wind/Spiral wind
Air flow gear: 1%-100%	Dimensions: 199*100*160mm

Main Interface



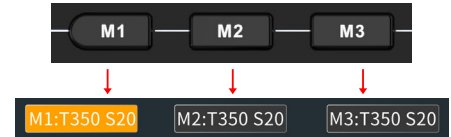
V Product Operation

● Operation of buttons



1. [Memory channel] Setting: temperature range: 100-500°C, air speed range: 1-100%

- M1, M2 and M3 buttons are corresponded to memory channels, press to switch among three channels
- Rotate the "Temperature knob" to adjust the temperature, rotate the "Air speed knob" to adjust the air speed. After adjustment, long press M1 or M2 or M3 to save set the temperature and air speed of memory channel.



2. Three desoldering modes switch

- Press "Temperature knob" to switch among "Standard mode, soft mode and top speed mode"

- 🟢 Soft mode: apply to connector desoldering
- 🟡 Standard mode: apply to common desoldering
- 🔴 Top speed mode: apply to fast chip desoldering

3. Force working mode

- Long press "Temperature knob" to enter the force working mode, working normally under strong magnetic environment
- Long press "Temperature knob" again to exit the force working mode

Force working mode, standby suspended

4. Air speed gears adjustment

- Press "Air speed knob" to switch among "low gear, middle gear, mid-high gear and high gear"

5. Cold air mode

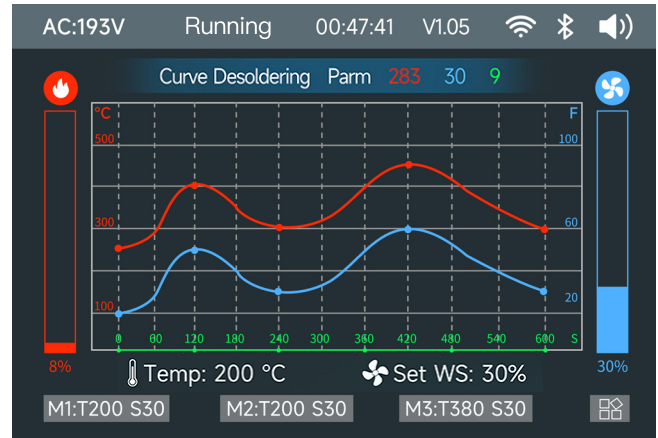
- Long press "Air speed knob" to start the cold air mode, temperature drops rapidly, long press "Air speed knob" again to exit the current mode

6. Curve/set interface

- Press "SET" button to enter the curve (segment desoldering) interface. Long press the "SET" button to enter the settings interface, where users can set "system settings, components, segment desoldering, curve desoldering and temperature calibration"

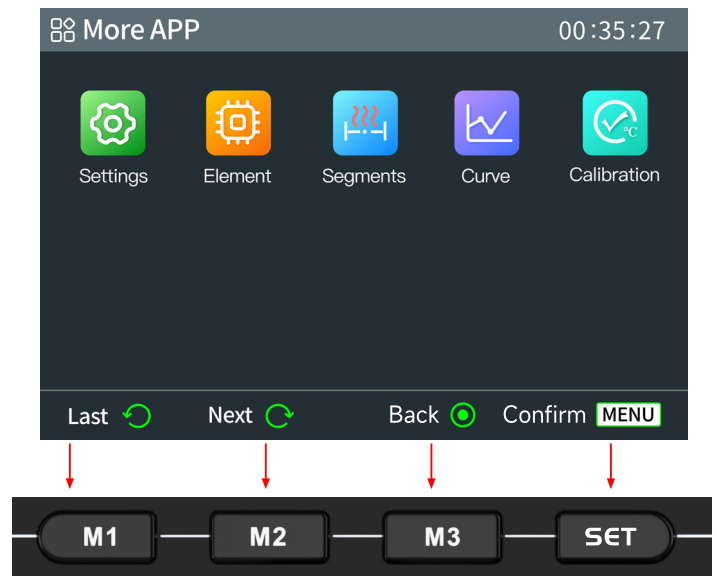
● Curve interface

- Press “SET” button to enter the curve interface
- Rotate “Temperature knob” to adjust the set temperature
Rotate “Air speed knob” to adjust the set air speed
- Press “M1, M2 and M3 buttons to switch memory shortcut channel
- Press “SET” button to exit and back to the main interface



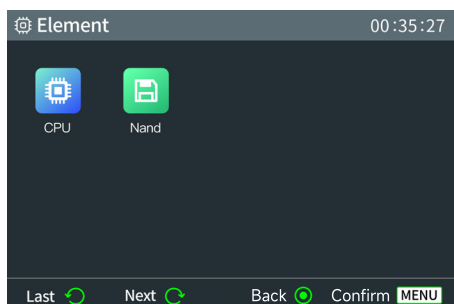
VI Expanded Applications

- Long press the “SET” button to enter the expanded applications interface, where users can set parameters of “system settings, element, segment desoldering and temperature calibration”
- M1 button Equals to Last
M2 button Next
M3 button Exit
SET button Confirm
- Users can also rotate the “Temperature knob” or “Air speed knob” to switch between the last and next app

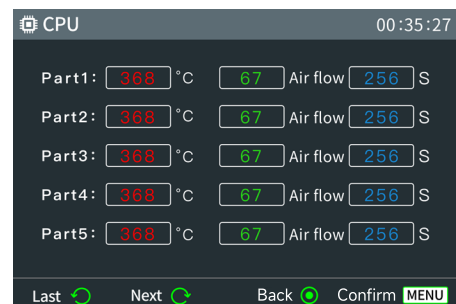


● Componen (More element function will be available in the future)

- Select the "Element" icon to enter the interface. Users can adjust parameters such as “CPU and Nand” according to their own needs. Heating temperature, air volume and time parameters can be set in sections. There are 5 segments that can be set



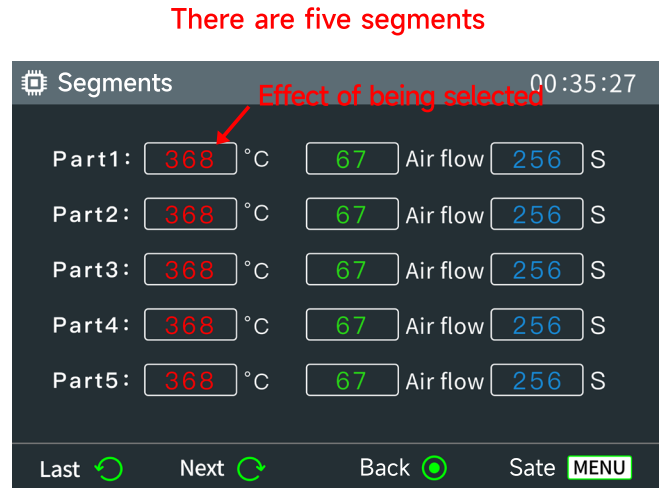
Element interface



Segment setting of heating

● Segment desoldering

- Selected the “Segments” icon and press “SET” button to enter the interface
- Press M1 and M2 to switch between the last and next segments of 1/2/3/4/5
- There are three sets values in every segment: temperature, wind speed and time respectively. It indicates that the value is selected when the outer border flashes
- Rotate the “Temperature knob” or “Air speed knob” to adjust parameters; Press the “Temperature knob” or “Air speed knob” to switch among the temperature, air speed and time in every segment
- After the adjustment, press the “SET” button to save the parameters

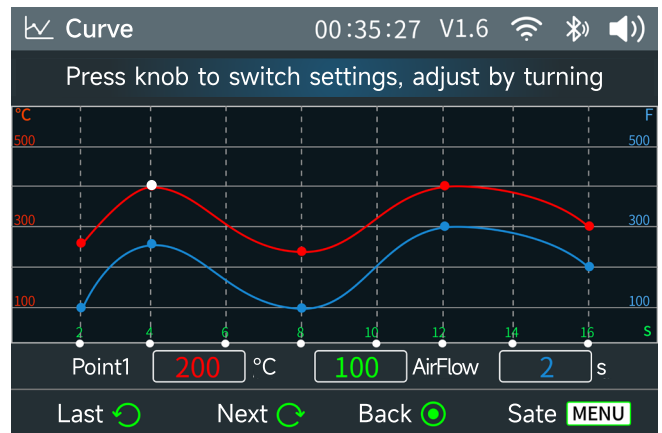


● Curve desoldering

- Selected the “Curve” icon, press the “SET” button to enter the interface
- There are five inflection points to be set on the curve interface

How to set the parameters of the five inflection points?

1. Enter the curve desoldering interface and there are five points, each point represents an inflection point. Press the M1 or M2 button to switch between the last and next inflection points.
2. Selected the inflection point (shown in white once be selected). Users can press the the “Temperature knob” or “Air speed knob” to switch between the temperature and air volume of the inflection point.

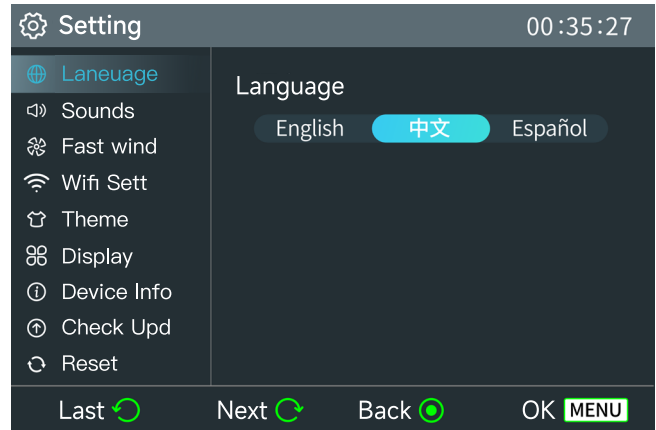


After selecting the temperature or air speed of the inflection point, rotate the “Temperature knob” or “Air speed knob” to adjust the parameters. After the adjustment, press the “SET” button to save the settings

[Language settings]

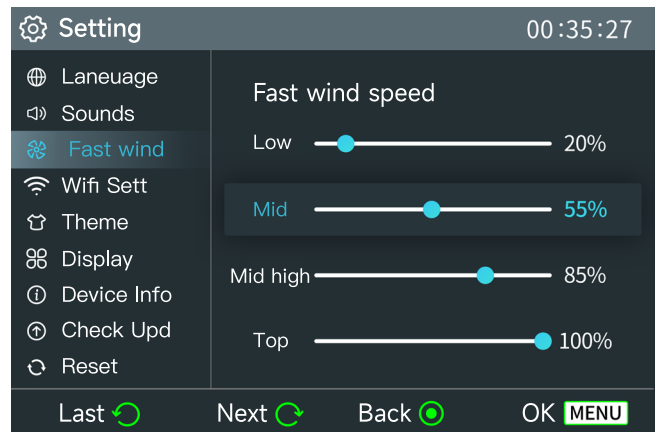
● System settings

- Select the “Settings” icon and press the “SET” button to enter the interface
- Users can adjust parameters of “language, sounds, air speed shortcut, WIFI, theme, display mode, device information, update information, factory reset and other settings according to their needs

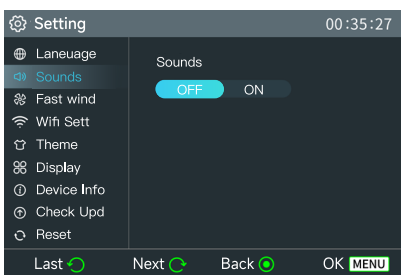


Air speed shortcut

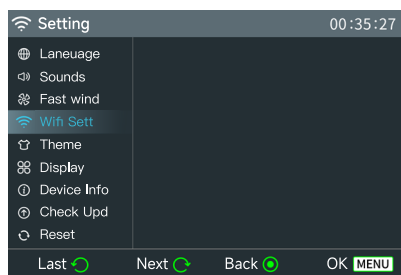
1. The air speed shortcut is divided into: low gear, middle gear, mid-high gear and high gear
2. Selected “Fast wind”, and then press “SET” button to confirm, the “low, middle, mid-high and high gear” parameters can be set at this time
3. After the adjustment, press “M3” to go back



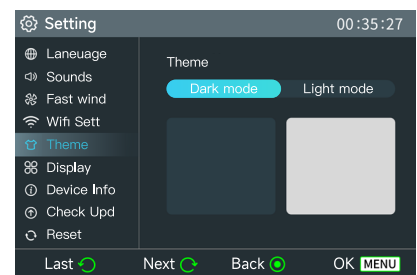
[Buzzer]



[WIFI] update soon



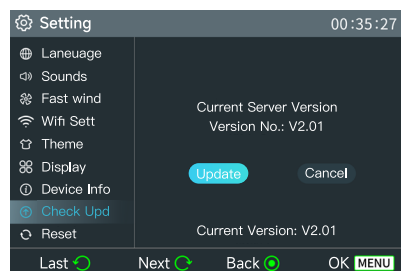
[Theme] update soon



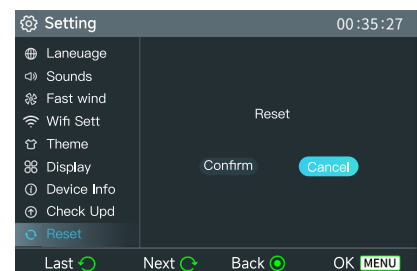
[System info]



[Update]



[Factory reset]



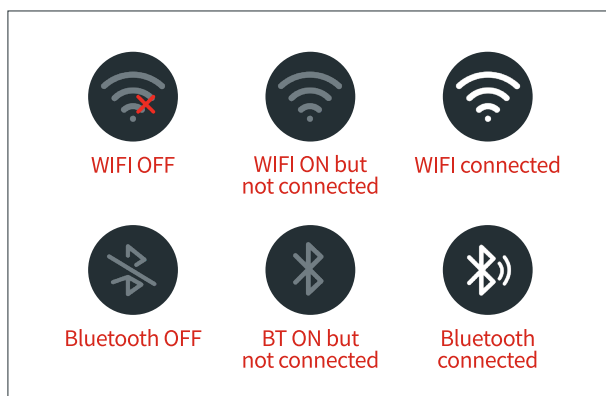
VII Setting and Connection of WIFI

- Connect the device with WiFi through mobile phone (only support 2.4G WIFI network configuration so far)

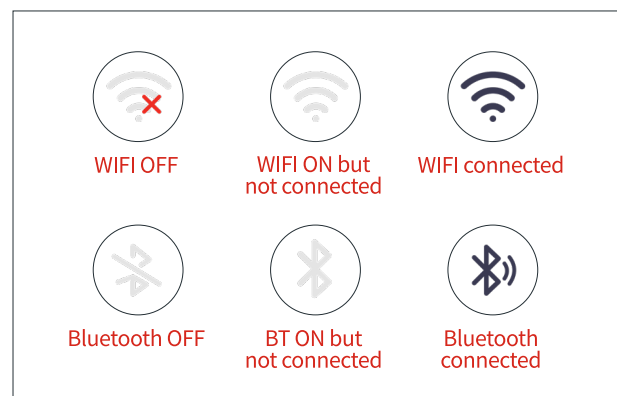
- Follow [AiXUN] official account on WeChat or scan the QR code on the right Find [AiXUN Assistant] in “Product Information” or scan the QR code on the “Check Update” interface
- Save mobile phone WiFi as connected state and Bluetooth as ON
- Find your device code, click Connect, enter the password > Confirm to send, and wait for the connection to complete



- WIFI/Bluetooth connection states



Dark mode



Light mode

- Software upgrade

Method 1: WIFI networking and upgrade software via OTA

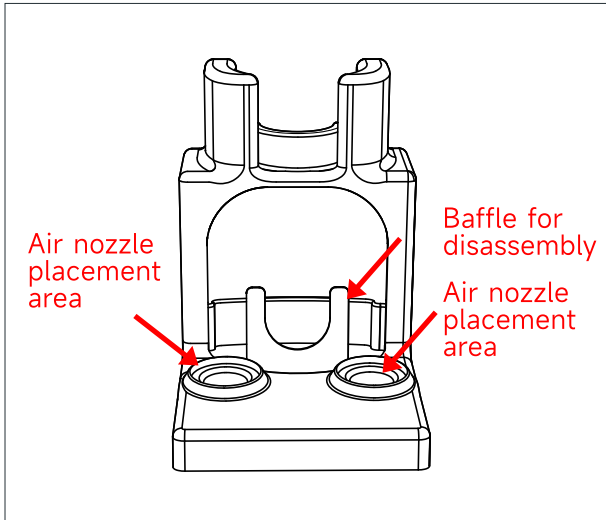
- According to the WIFI settings and connection method, connect [Device] to [AiXun Assistant] through WIFI to update the software to the latest version, no data cable is required

Method 2: Connect to the computer via Type-C data cable to upgrade

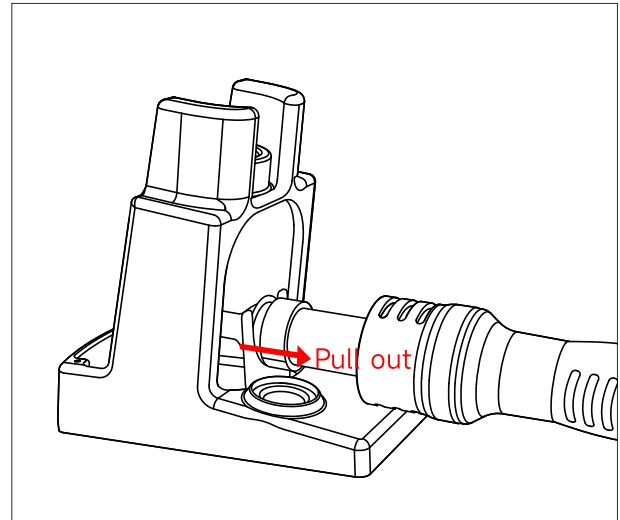
- A Type-C data cable interface is reserved on the device which can be connected to a computer. Open [AiXun Assistant], it will identify the connected device automatically
- Select the latest software version to upgrade, and wait until the upgrade is complete



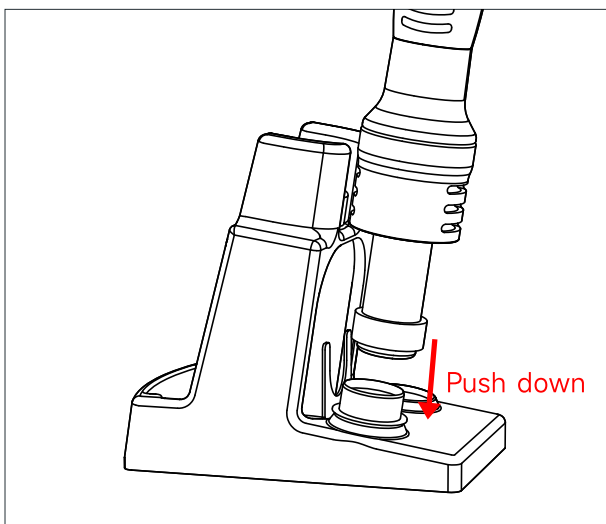
VIII Air Nozzles Replacement



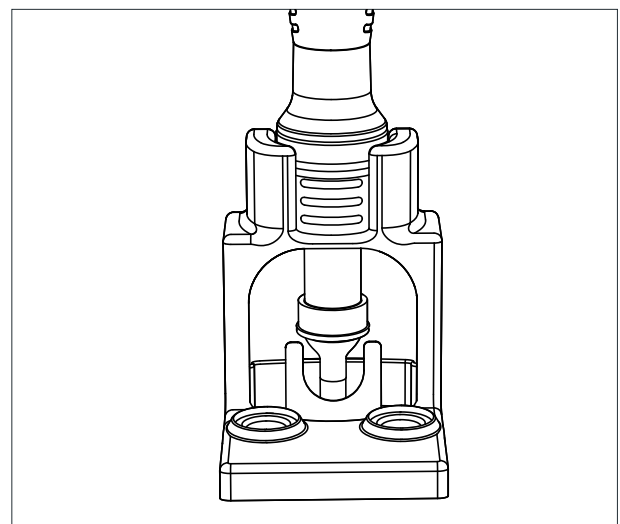
- Users can place the air nozzle in the "air nozzle placement area", convenient and neat, replace quickly



- Place the handle of the air gun on the "baffle for disassembly" and slowly pull out the air nozzle in use. Do not operate with hands to prevent burns.



- Place the air nozzle in the "air nozzle placement area" and push the handle of the air gun down to install the air nozzle quickly



- Effect after installation, simple and convenient

- Simple and convenient operation, easy to learn

Precautions

- **To avoid damage to the hot air gun and consider safety of the working environment, the following matters shall be observed:**
- The product uses a three wire grounding plug, which must be inserted in a three hole grounding socket. Do not change the plug or use an ungrounded three plug adaptor to avoid poor grounding. To lengthen the wire, please use a grounded three wire power cord.
- Built-in precision electronics, non-professionals please do not disassemble without authorization.
- Please adjust strictly according to the official parameters. Do not exceed the value range to prevent product damage and malfunction.
- The hot air gun should not be used by children or untrained personnel; do not use the station as a hair dryer
- Please do not mix metal flakes and wire debris into this product, otherwise it may cause electric shock, fire, or failure.
- Replace fittings with original accessories.
- If it is in idle for a long time, please place it in a dry environment.
- Do not get the hot air gun wet, or do not touch the hot air gun with wet hands nor pull the power cord.
- Please strictly follow this manual when using.

 **This product has anti-static measures, please be sure to use grounding.**

After Sale Service

- **Warranty regulations:**
- The product is guaranteed for one year from the date of purchase (subject to the purchase certificate).
- The warranty service is only valid under normal use. All man-made damage, such as improper use of accessories, failure to use according to instructions, damage not caused by our company's repair, wrong use or negligence, the warranty service will immediately invalid.
- The company has the final right to interpret the above regulations for users who do not comply with the above regulations.

AiXun

Phone: (+86) 400-875-9688

Website: www.aixuntech.com

Address: Room 402(403), 4th Floor, Building 2,
IOT Industrial Park, 4012 Wuhe Blvd, Bantian
Street, Longgang District, Shenzhen

服务热线: 400-875-9688

品牌官网: www.aixuntech.cn

地址: 深圳市龙岗区坂田街道五和大道4012号

IOT物联网产业园2栋4楼402(403)



Made in China